

1

2

3

4

5

6

7

8

A

A

B

B

C

C

D

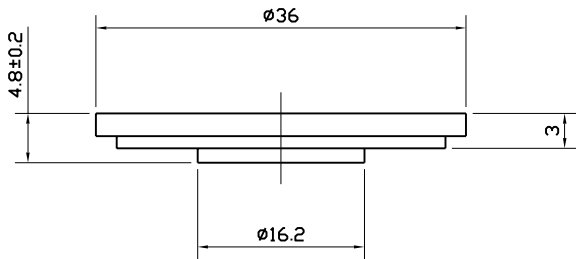
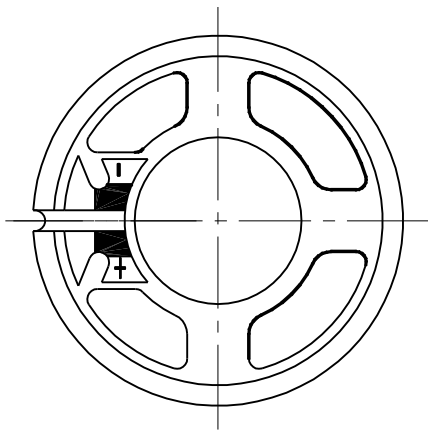
D

E

E

F

F



# SPECIFICATION

- 1. Rated Noise Power .....0.25W
- 2. Max. Input Power.....0.50W
- 3. Frequency .....550Hz
- 4. Rated Frequency Range .....fo~4.5KHz
- 5. Rated Impedance.....8 Ω
- 6. Min. Sound Pressure Level .....88±3dB/1V/10cm
- 7. Case Material..... Iron
- 8. Operating Temperature .....-25~+55℃
- 9. Weight .....8g

				<b>KEPO</b> NINGBO KEPO IMPROVING ELECTRONIC CO.,LTD <a href="http://www.chinaacoustic.com">http://www.chinaacoustic.com</a>	
				<b>Micro Speaker</b>	
				<b>KPSP3648MN-08/0.25E</b>	
No.	DESCRIPTION	APPROVED	DATE		
<small>           TOLERANCES UNLESS NOTED OTHERWISE            X = ±            XX = ±            XXX = ±            90° FORMED ±2°            ANGLES 1/2°         </small>		APPROVALS		DATE	
FIRST ANGLE PROJECTION		DRAWN		UNIT	DWG NO.
		CHECKED		mm	KP3.841.040
		APPROVED	04.07.13	SCALE	SHEET
				NOT TO SCALE	VER 1.1

1

2

3

4

5

6

7

8